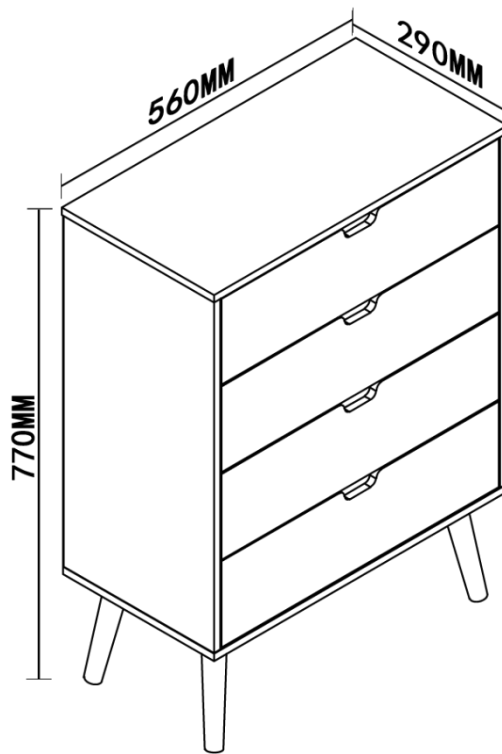


# ASSEMBLY INSTRUCTION

## EDMUNDSTON

4 DRW TALL BOY

ITEM CODE 69619

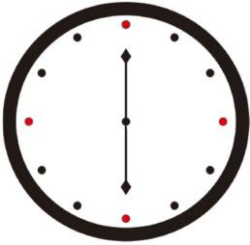
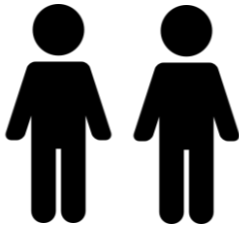
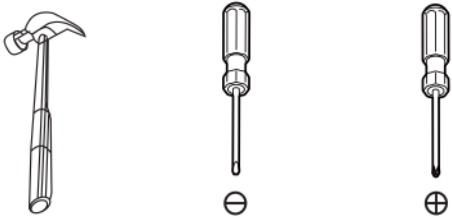


Imported by JWA Furniture Pty Ltd, Qld, Brisbane Australia.  
For any assistance with assembly or for missing parts please refer to your receipt

## PRE-ASSEMBLY PREPARATION

### Before you start:

1. Choose a clean, level, spacious assembly area. Avoid hard surfaces that may damage the product
2. Take care when lifting. Product should be assembled as near as possible to the point of use
3. Ensure that you have all required contents for complete assembly
4. Always read the assembly instructions carefully before beginning assembly.
5. Keep all hardware parts and packaging out of reach of small children.
6. Do not over tighten the screws and bolts as this may damage the threads

		
Allow 30 min	For 2 person	Additional tools required



# TIPPING WARNING





**Serious or fatal injuries may occur from furniture toppling over. To help avoid this please follow the below recommendations:**

- Install the provided "Tipping Kit" as per the instructions
- Never allow children to climb on or hang off of any part of this product
- Unless specifically designed to accommodate, do not set TVs or other heavy objects on top of this product










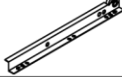



If this product has drawers:

- Place the heaviest items in lowest drawers
- Do not open more than 1 drawer at a time as this may cause the product to become unbalanced
- Do not tamper with or remove any drawer interlocking/running system

**Note: The use of the provided "Tipping Kit" may reduce but not necessarily eliminate the risk of furniture toppling over. Please use this product with caution.**

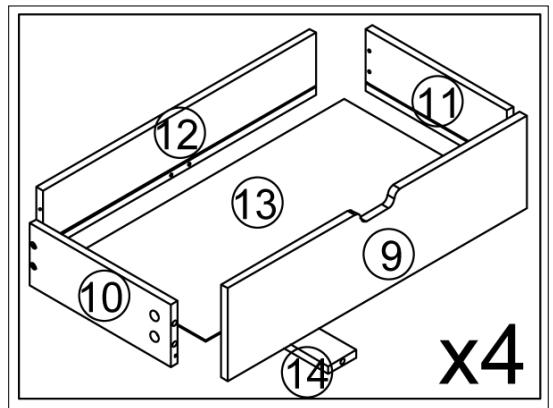
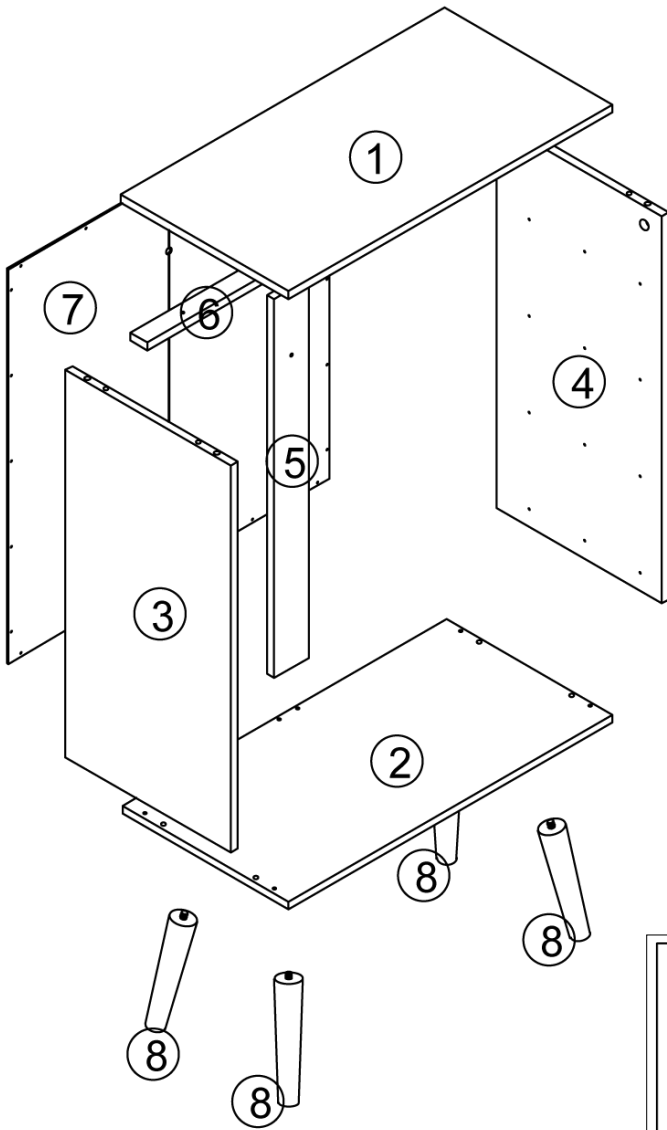
*This is a permanent label. Do not attempt to remove!*

## PARTS LIST

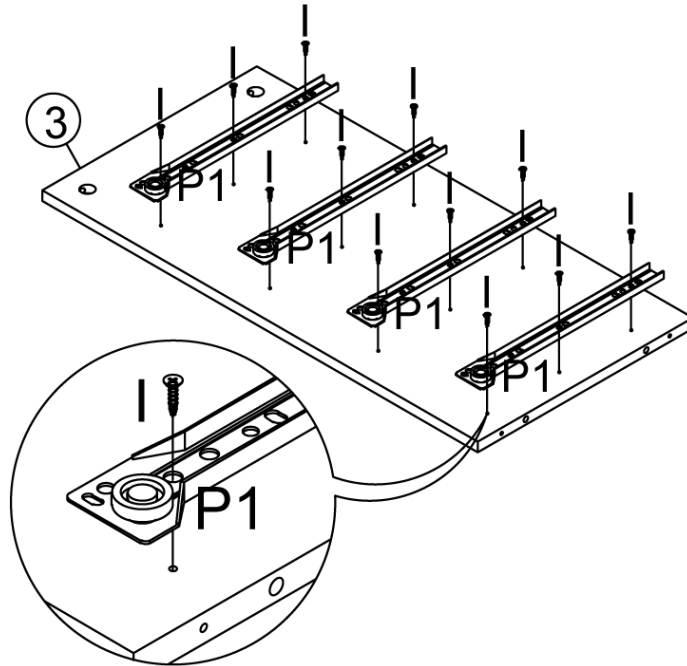
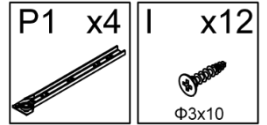
NO.	ITEM	QTY	NO.	ITEM	QTY
A	 $\Phi 6 \times 35$	24PCS	J		1PC
B	 $\Phi 15 \times 10$	24PCS	K	 $\Phi 4 \times 45$	1PC
C	 $\Phi 6 \times 30$	8PCS	P1		4PCS
D	 $\Phi 4 \times 35$	32PCS	P2		4PCS
G		22PCS	P3		4PCS
H	 $\Phi 4 \times 18$	3PCS	P4		4PCS
I	 $\Phi 4 \times 10$	48PCS			

NO.	ITEM	QTY	NO.	ITEM	QTY
1	TOP PANEL	1 PC	8	LEGS	4 PCS
2	BOTTOM PANEL	1 PC	9	DRAWER FRONT PANEL	4 PCS
3	LEFT SIDE PANEL	1 PC	10	DRAWER LEFT SIDE PANEL	4 PCS
4	RIGHT SIDE PANEL	1 PC	11	DRAWER RIGHT SIDE PANEL	4 PCS
5	MIDDLE SUPPER PANEL	1 PC	12	DRAWER BACK PANEL	4 PCS
6	TOP SUPPORT PANEL	1 PC	13	DRAWER BOTTOM PANEL	4 PCS
7	BACK PANEL	2 PCS	14	DRAWER BOTTOM SUPPORT PANEL	4 PCS

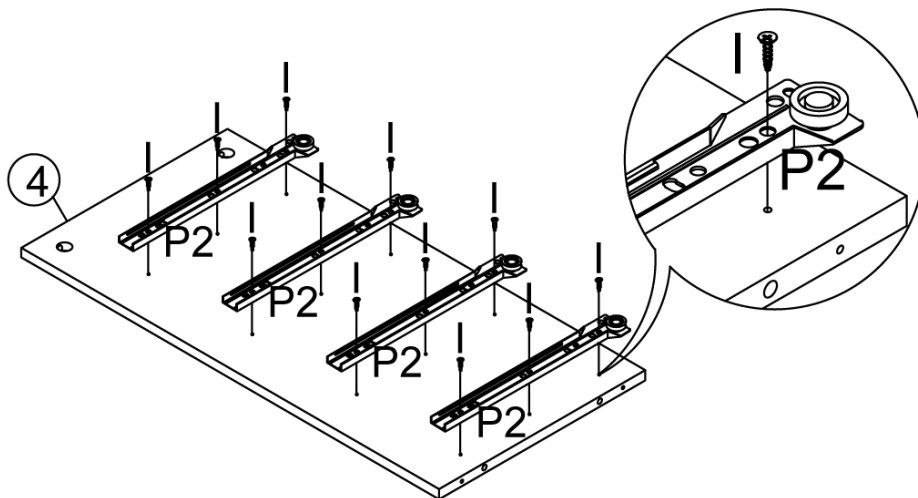
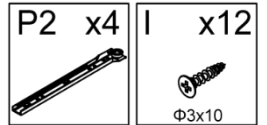
# PARTS LIST



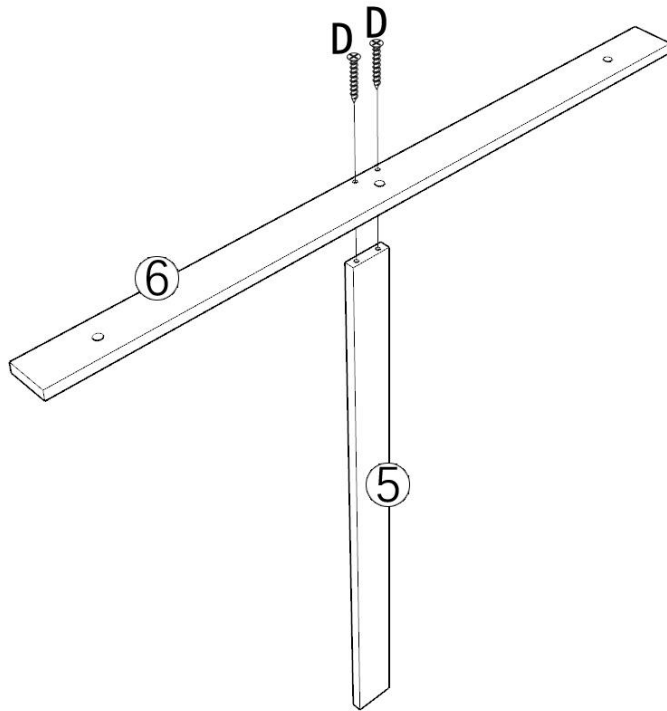
# STEP 1:



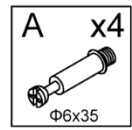
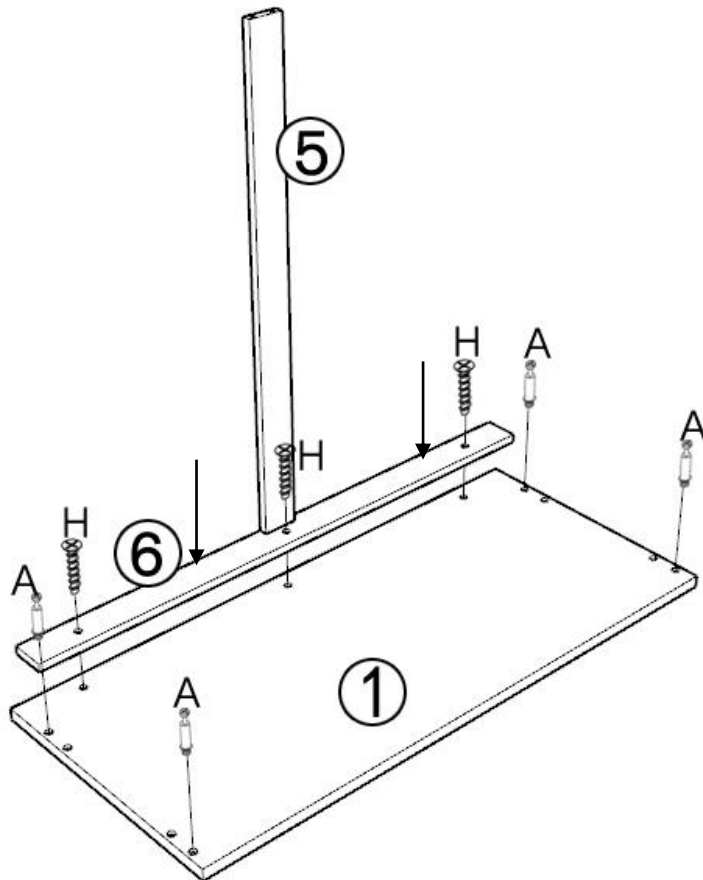
# STEP 2:





STEP 3:

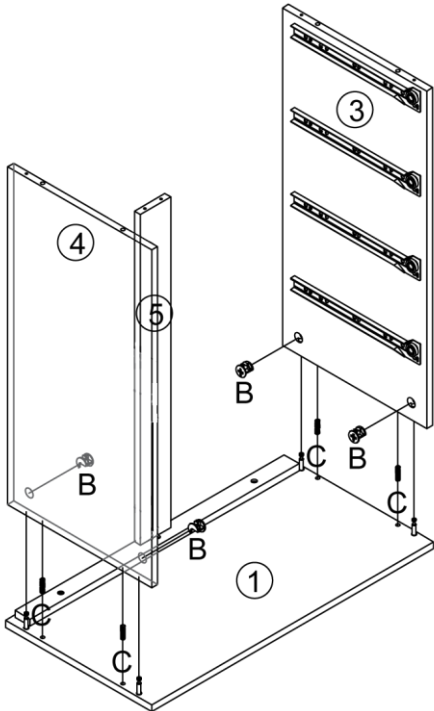


STEP 4:





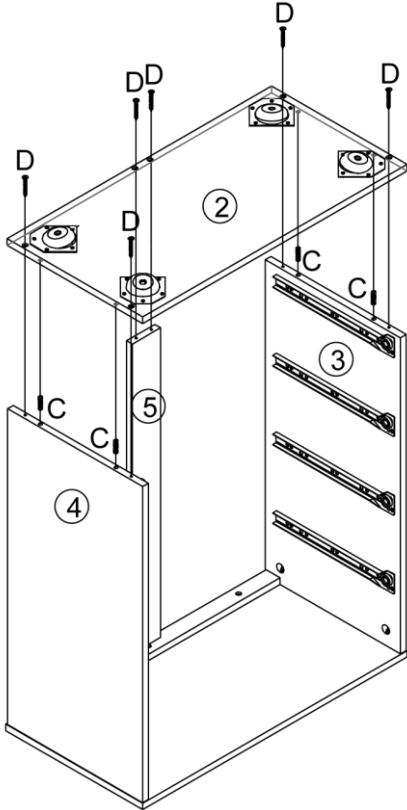
# STEP 5:

<b>C</b> x4  Φ6x30	<b>B</b> x4  Φ15x10
---	--

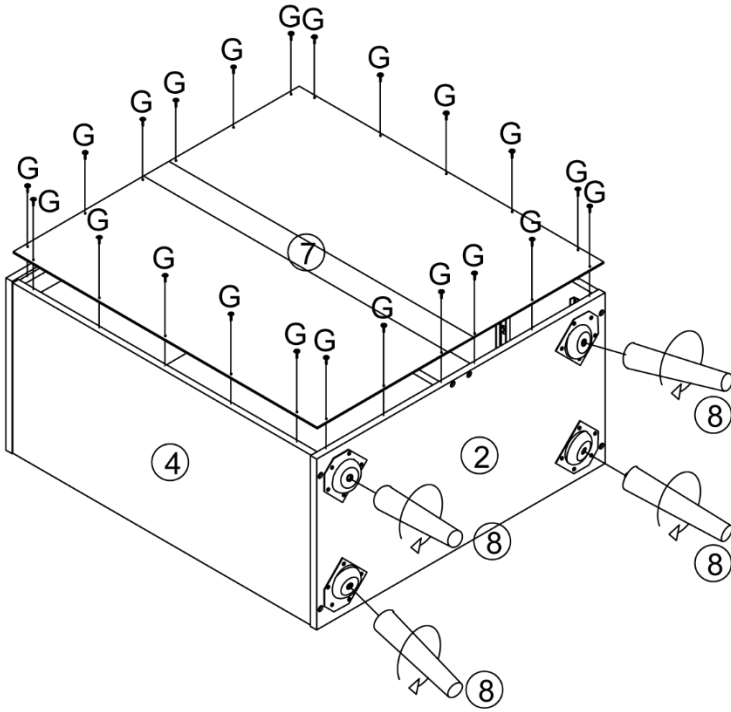


# STEP 6:

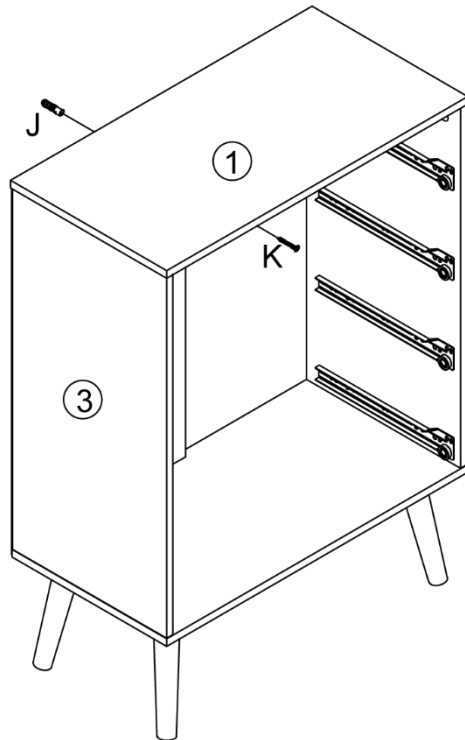
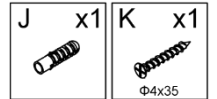
<b>C</b> x4  Φ6x30	<b>D</b> x6  Φ4x35
---	---



# STEP 7:

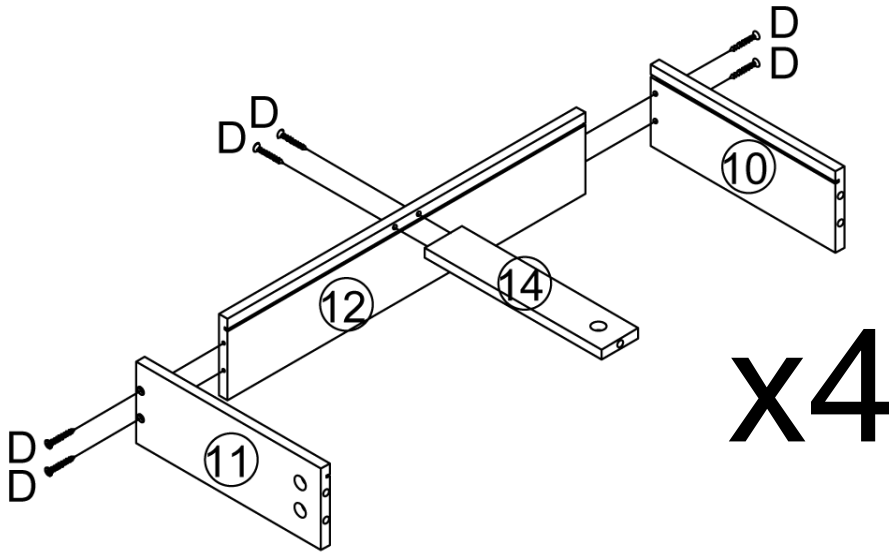
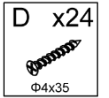


# STEP 8:

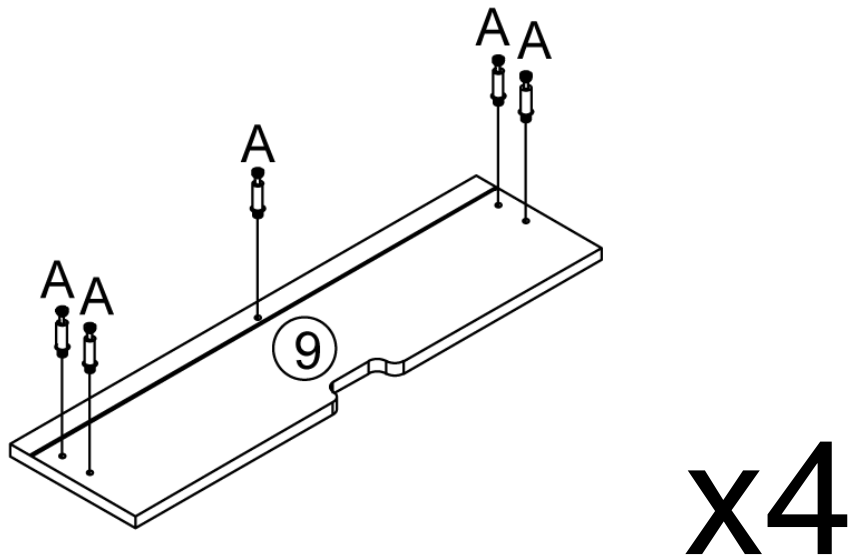




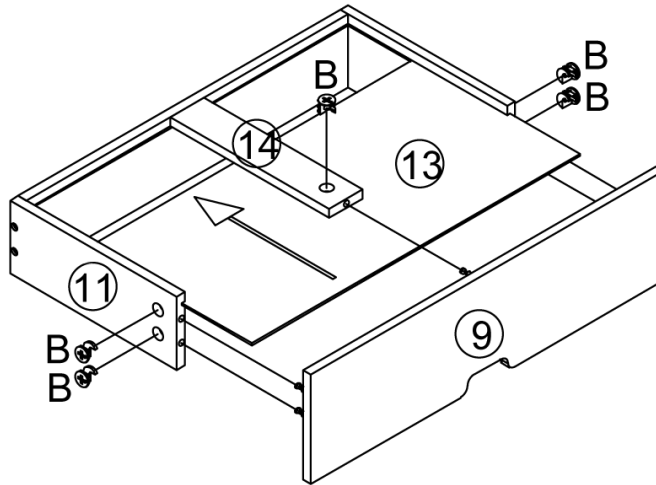
STEP 9:



STEP 10:

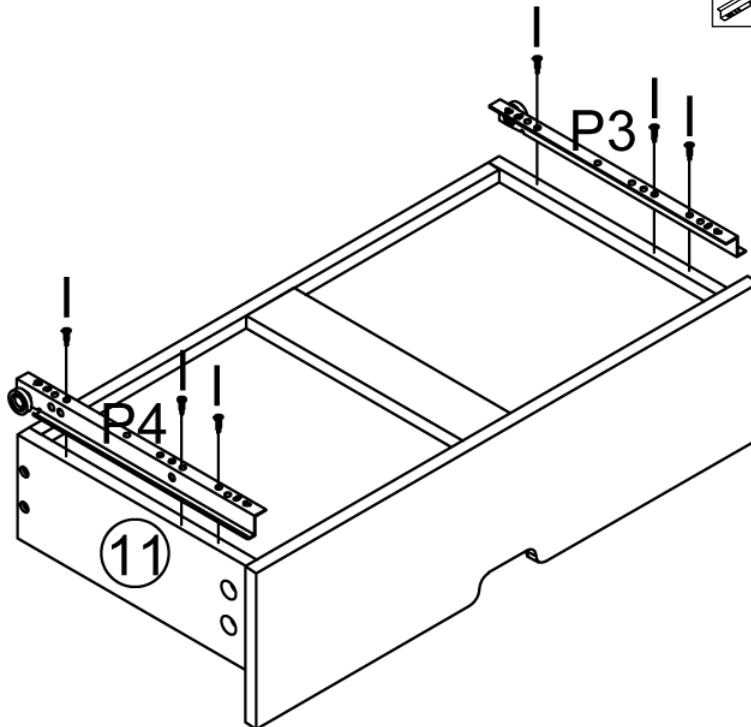
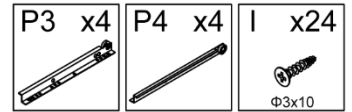


# STEP 11:



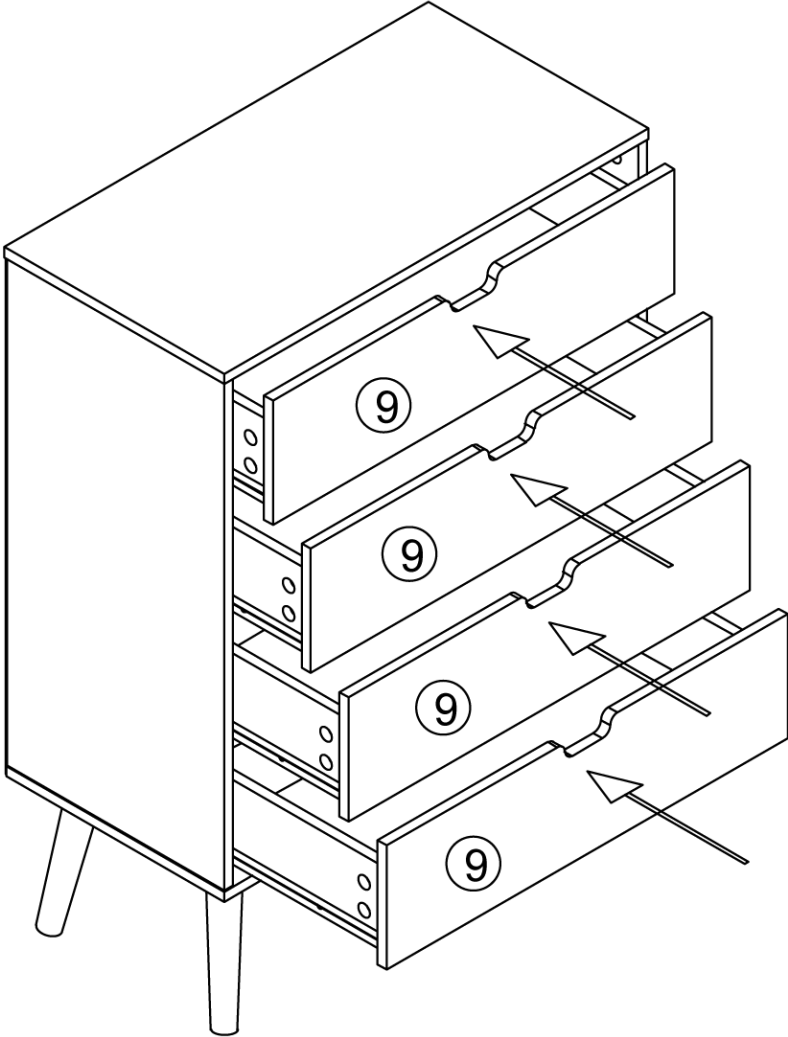
x4

# STEP 12:

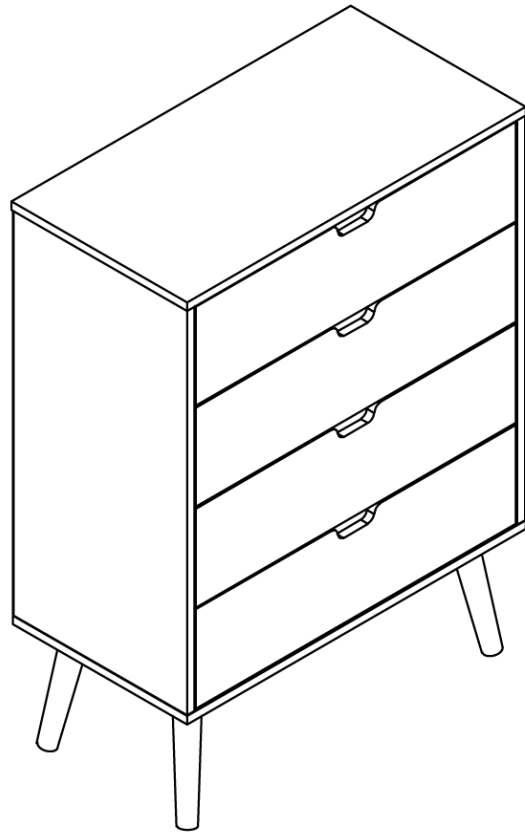


x4

STEP 13:



ASSEMBLY IS COMPLETE



## **To protect your furniture, we suggest the following:**

- Avoid placing your furniture in direct sunlight.
- Do not place furniture directly under windows.
- Do not place sharp materials (knife, fork, etc.) directly onto your furniture as sharp material may scrape and damage the finish.
- Do not place material with high temperature directly onto the surface of your furniture.
- Clean up spills quickly. Water left over a prolonged period of time may cause damage. Alcohol, perfume, nail polishes, aftershave and some medication may cause severe finish damage if not cleaned immediately.
- Use a clean, soft, dry, lint free absorbent cloth to clean your furniture. Do not use any detergent as they may contain ingredients that may react and damage the finish.

**NOTE:** If the above care advise is not adhered to your product warranty may become void